

Installation
instructions



Instructions

- Must be installed by a professional
- Handle items carefully
- Wear gloves during installation

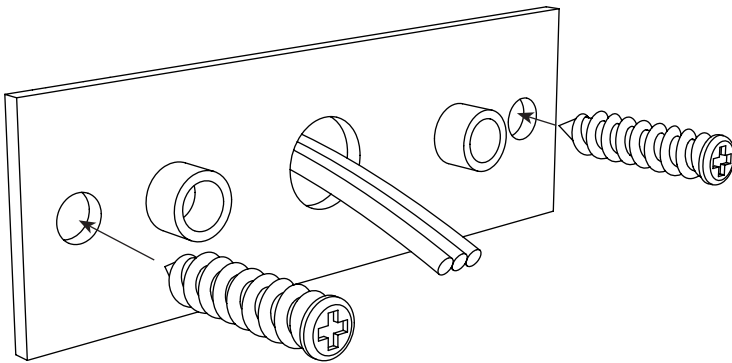
Assembly time

30 minutes

Number of people required

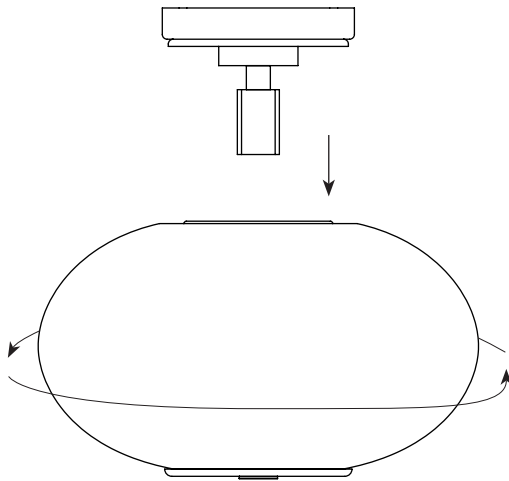
1

1



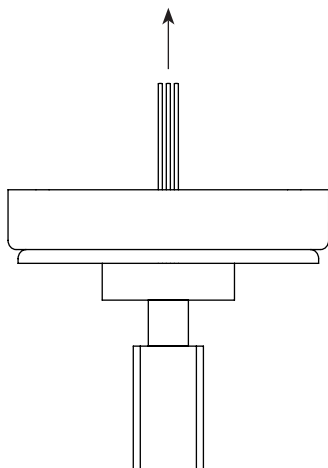
Position the bracket on the wall so that the cable passes through the center hole of the bracket and fix the bracket to the wall with the two screws.

2



Remove the glass globe by unscrewing it gently from the cable cover.

3



Gently pull the cables out.

Instructions

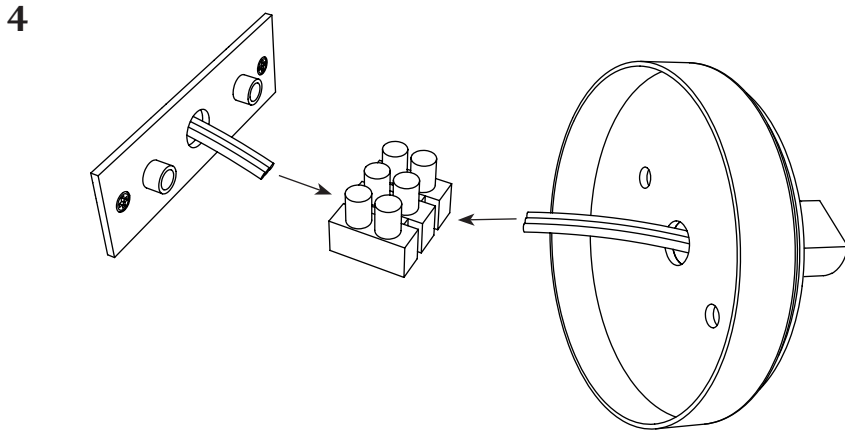
- Must be installed by a professional
- Handle items carefully
- Wear gloves during installation

Assembly time

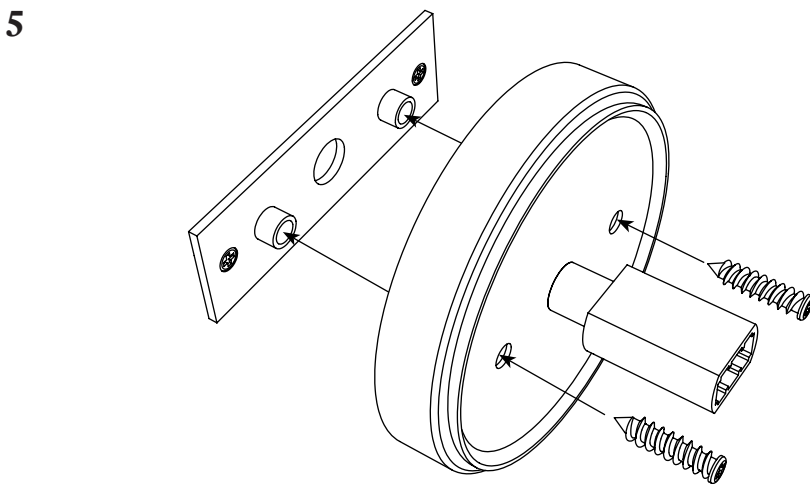
30 minutes

Number of people required

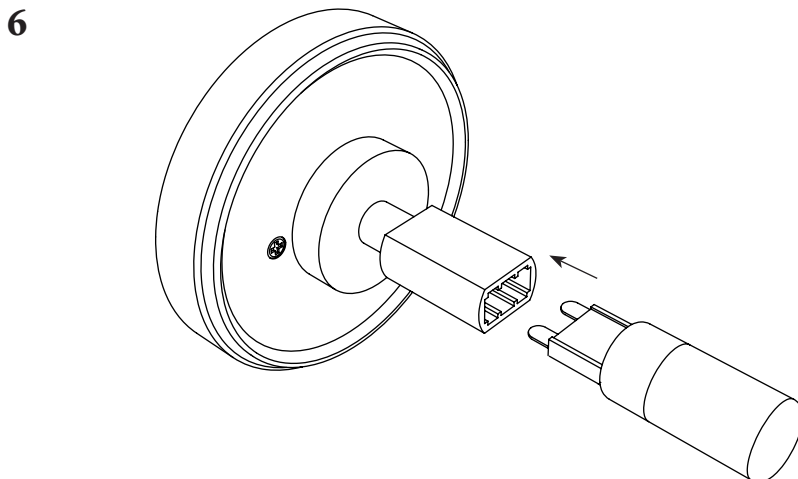
1



Connect the cables to the electrical network.



Fix the bracket and the cable cover to the wall using the two screws.



Place the bulb and screw it back into the bracket.

Instructions

- Must be installed by a professional
- Handle items carefully
- Wear gloves during installation

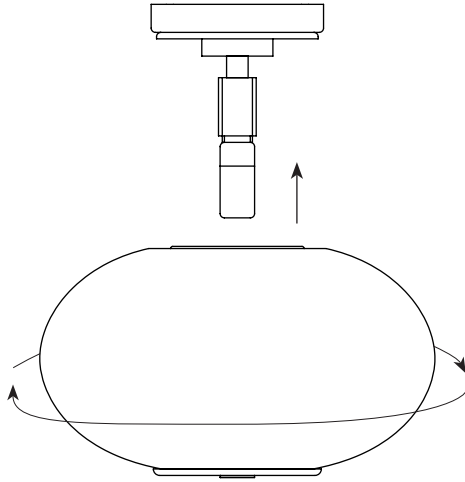
Assembly time

30 minutes

Number of people required

1

7



Replace the glass globe by screwing it to the cable cover.