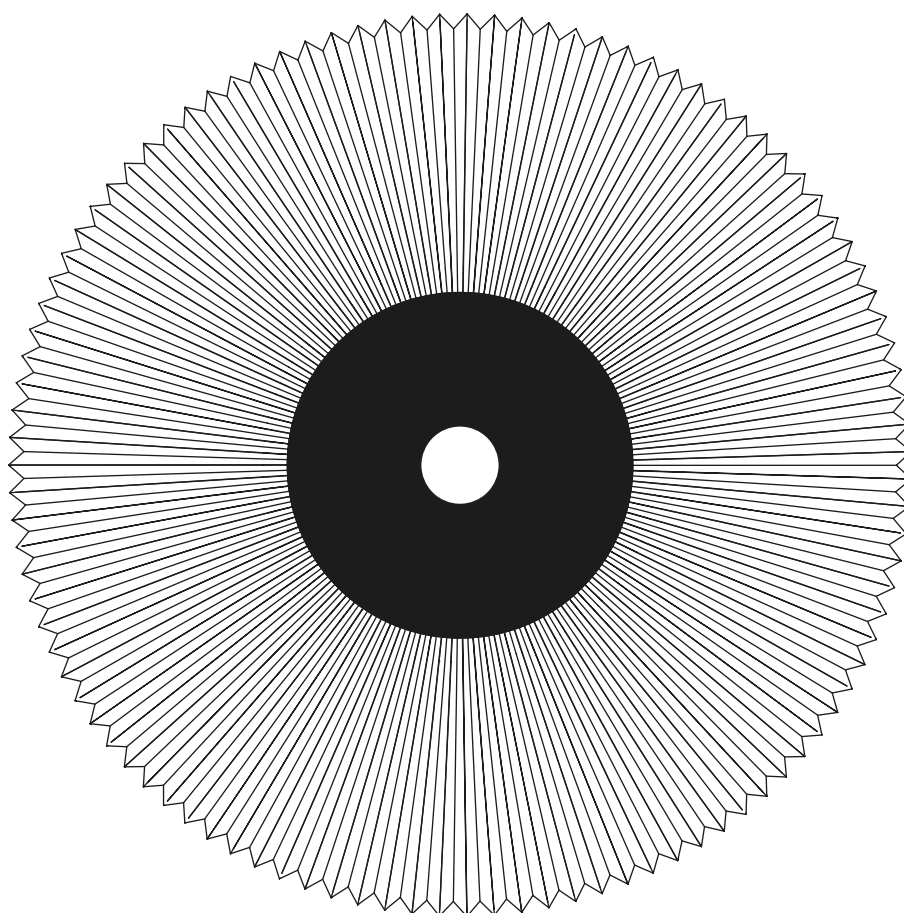


Installation
instructions



Instructions

- Must be installed by a professional
- Handle items carefully
- Wear gloves during installation

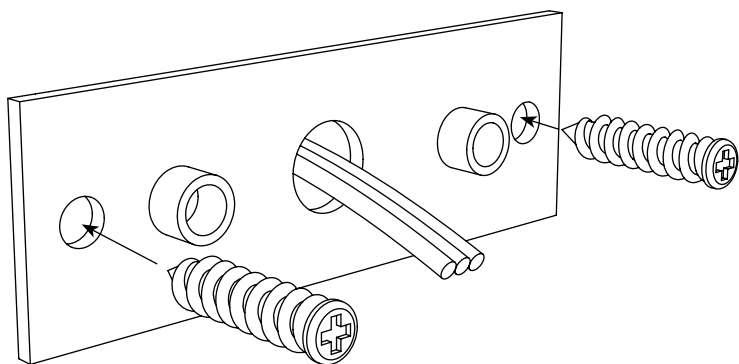
Assembly time

30 minutes

Number of people required

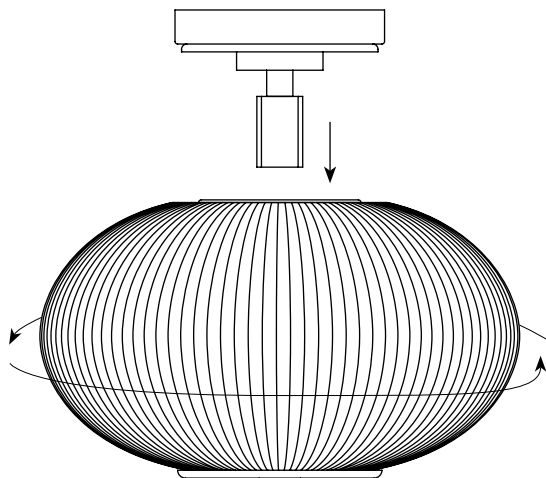
1

1



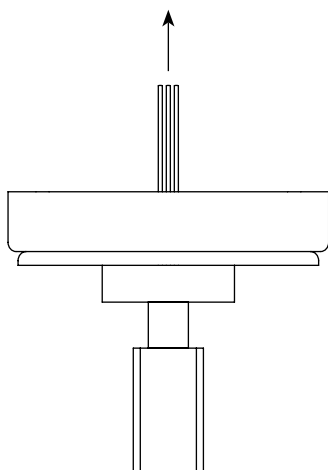
Position the bracket on the wall so that the cable passes through the center hole of the bracket and fix the bracket to the wall with the two screws.

2



Remove the glass globe by unscrewing it gently from the cable cover.

3



Gently pull the cables out.

Instructions

- Must be installed by a professional
- Handle items carefully
- Wear gloves during installation

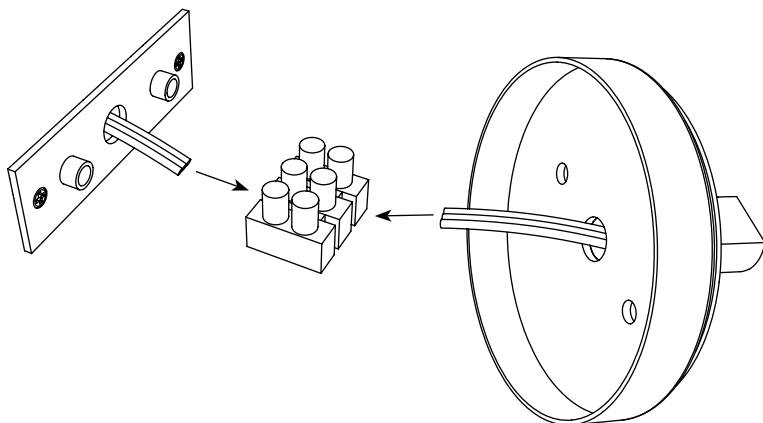
Assembly time

30 minutes

Number of people required

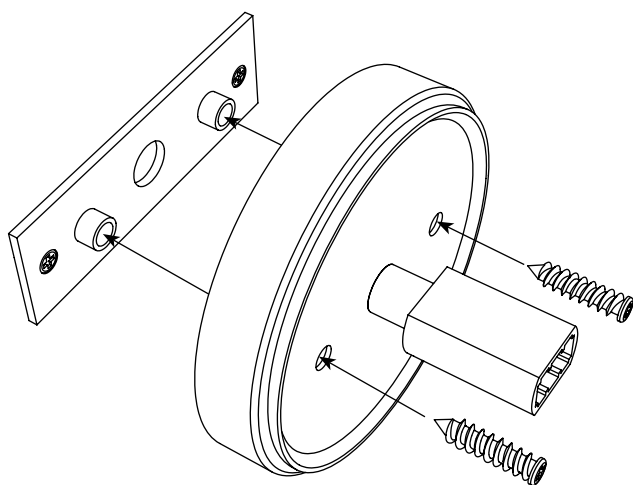
1

4



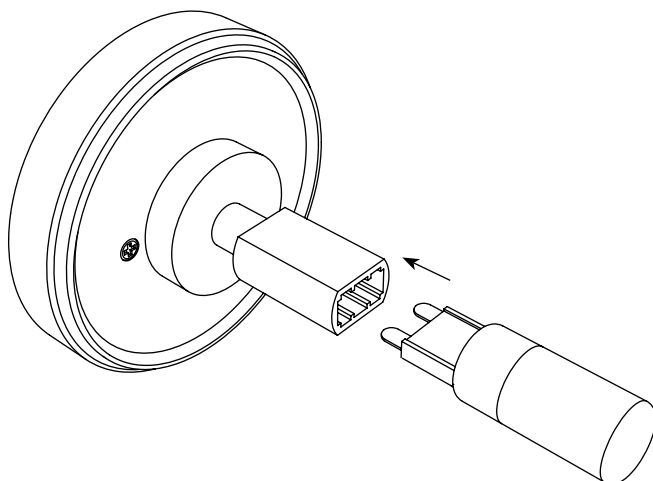
Connect the cables to the electrical network.

5



Fix the bracket and the cable cover to the wall using the two screws.

6



Place the bulb and screw it back into the bracket.

Instructions

- Must be installed by a professional
- Handle items carefully
- Wear gloves during installation

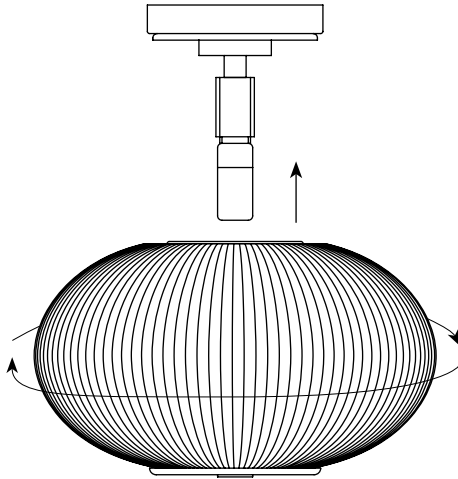
Assembly time

30 minutes

Number of people required

1

7



Replace the glass globe by
screwing it to the cable cover.