

Instructions

- Must be installed by a professional
- Handle items carefully
- Wear gloves during installation
- Provide a protective cover

Assembly time

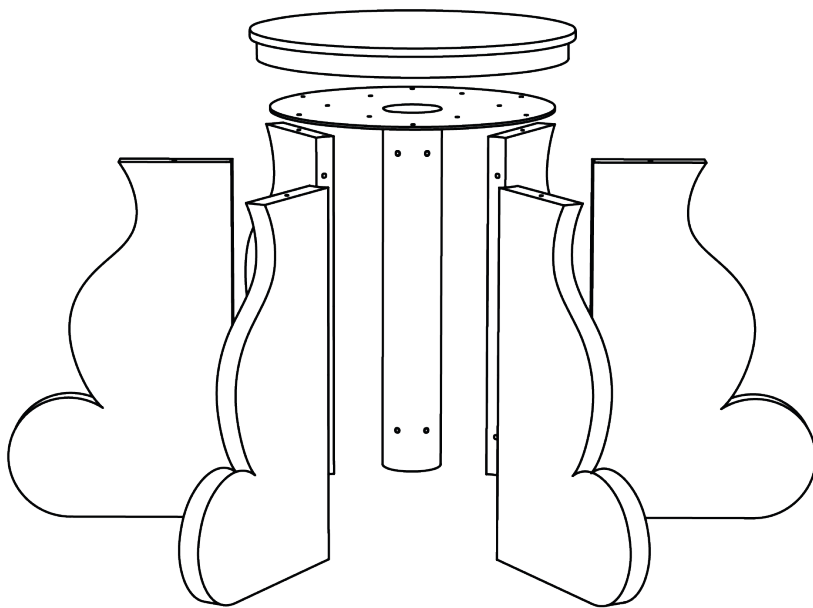
2h

Number of people required

2

1

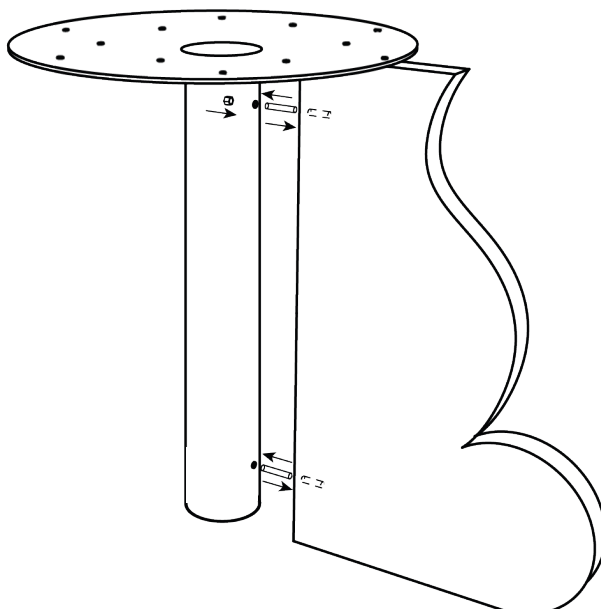
This guéridon will be delivered in eight blocks.



2

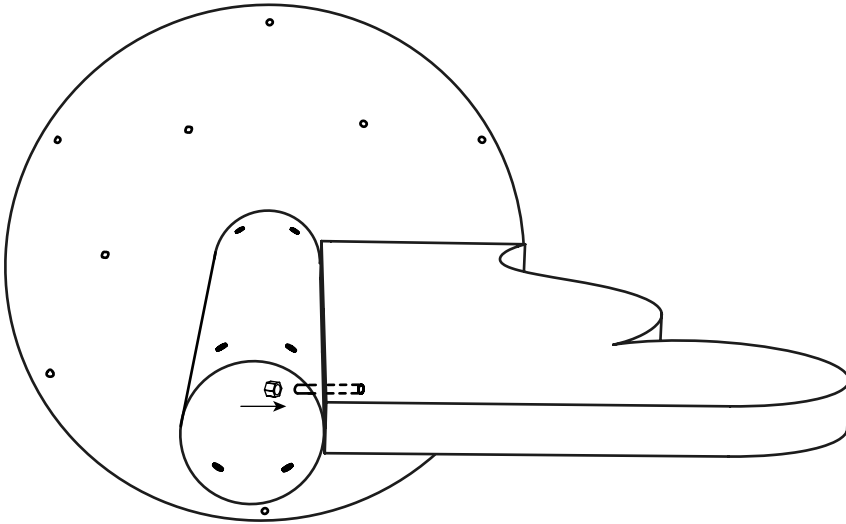
Screw the two screws to the foot and insert them in the holes corresponding to the central tube.

Then by the interior of this one, using a ratchet wrench, screw the nut of the top of the foot.



3

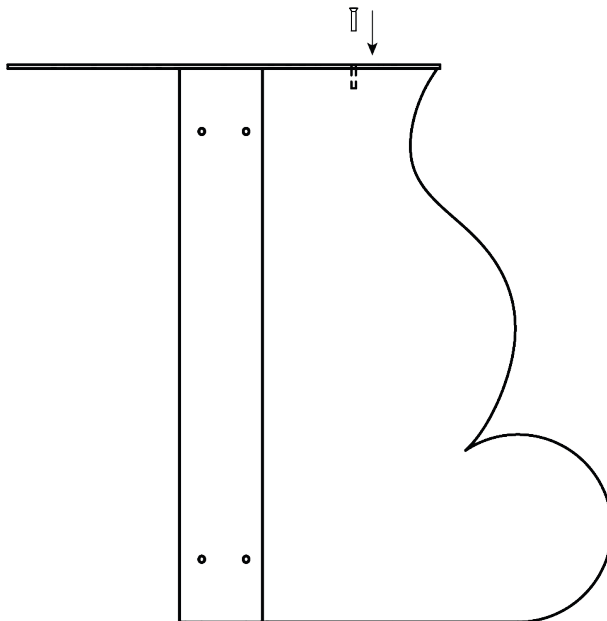
Incline the guéridon on a cover, previously installed, to screw from the inside of the tube, using a ratchet wrench, the nut of the bottom of the foot.

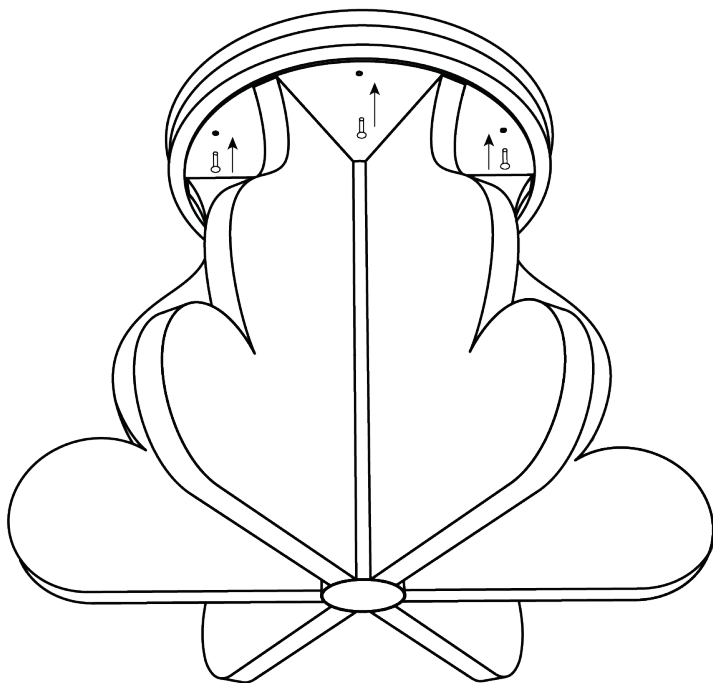


4

Screw the foot to the plate from above.

Reproduce the same assembly for the five following feet by respecting the color alternation.



5

Finally, screw the top platform to the bottom of the plate.
