

Instructions

- Must be installed by a professional
- Handle components with care.
- Wear gloves during installation

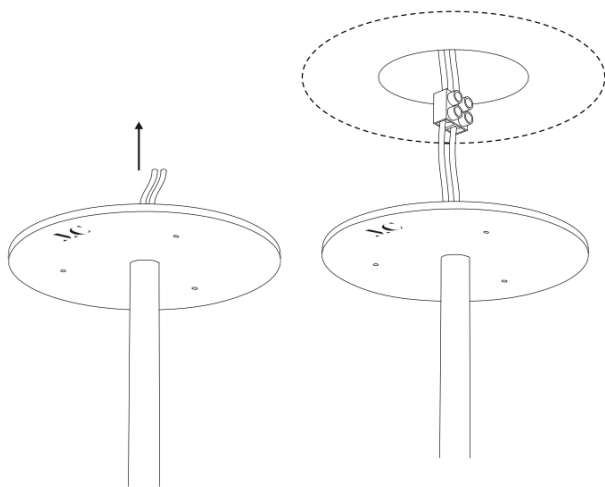
Assembly time

1h

Number of people required

2

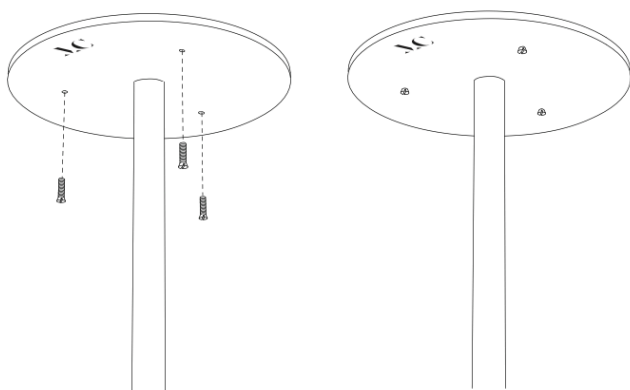
1



Prepare the wires coming out of the board.

Connect wires to power supply.

2



Refit the plate and secure it to the ceiling.

Instructions

- Must be installed by a professional
- Handle components with care.
- Wear gloves during installation

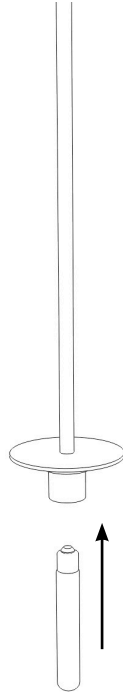
Assembly time

1h

Number of people required

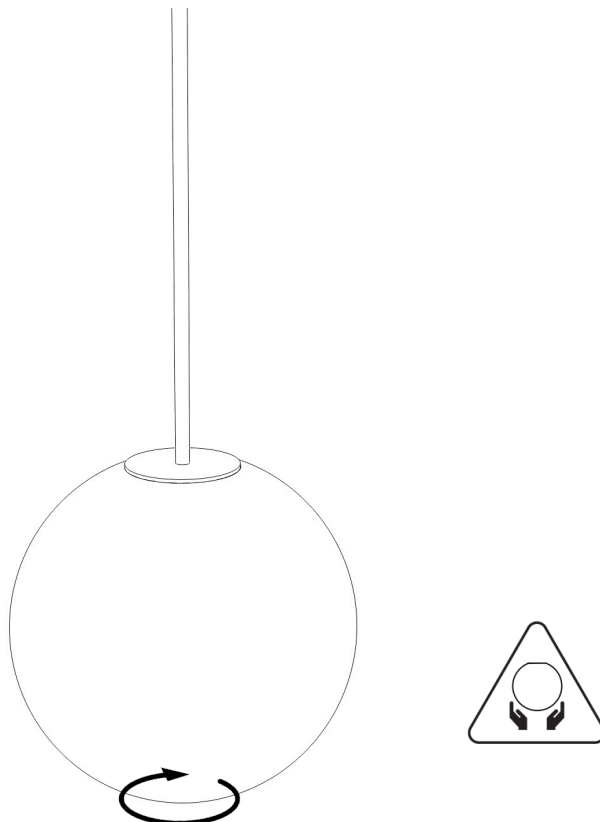
2

3



Install bulb in base.

4



Screw on the glass globe, keeping
the tube straight.

Caution! Do not overtighten.