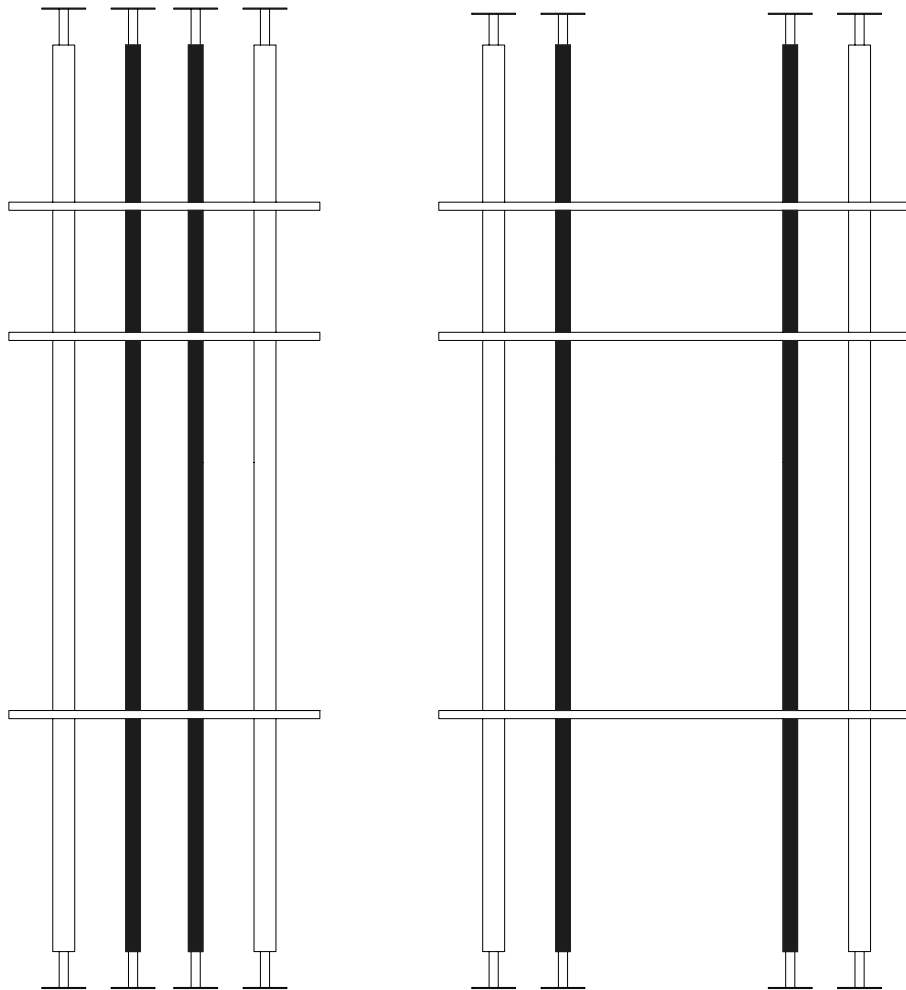


Installation
instructions



Instructions

- Must be installed by a professional.
- Handle components with care.
- Wear gloves during installation.
- Requires a wrench.

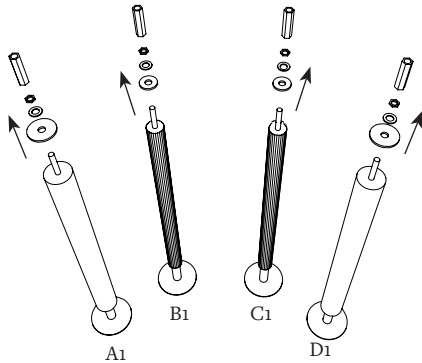
Assembly time

2H

Number of people required

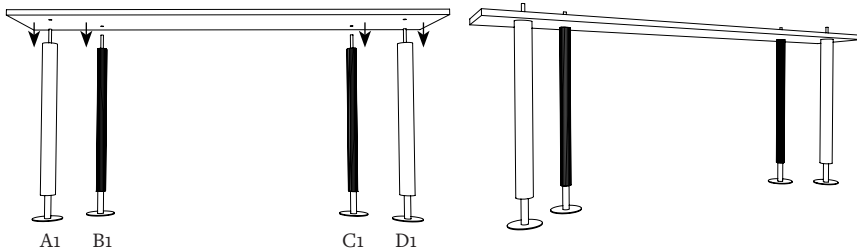
2

1



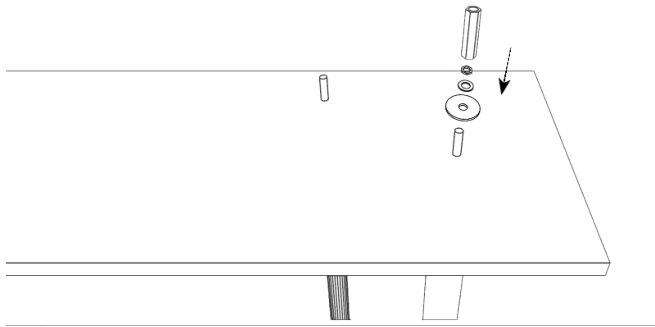
Unscrew the 2 washers, the nut and the coupling nut on the threaded rods of the 4 tubes (A1, B1, C1 and D1).

2



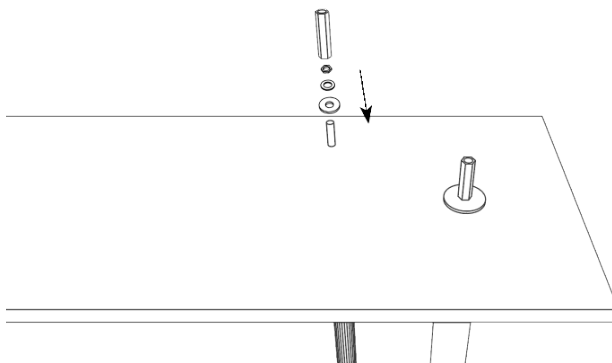
Place one of the trays in the 4 threaded rods of the 4 tubes (A1, B1, C1 and D1), with tubes A1 and D1 on the outside and splined tubes B1 and C1 on the inside.

3



Assemble on the threaded rods of the 2 tubes A1 and D1 in this order: the large washer, the small washer, the nut and finally the coupling nut.

4



Assemble on the threaded rods of the 2 tubes B1 and C1 in this order: the medium washer, the small washer, the nut and finally the coupling nut.

Instructions

- Must be installed by a professional.
- Handle components with care.
- Wear gloves during installation.
- Requires a wrench.

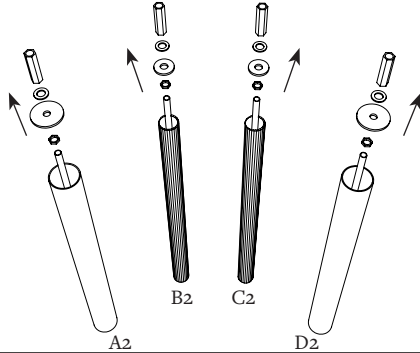
Assembly time

2H

Number of people required

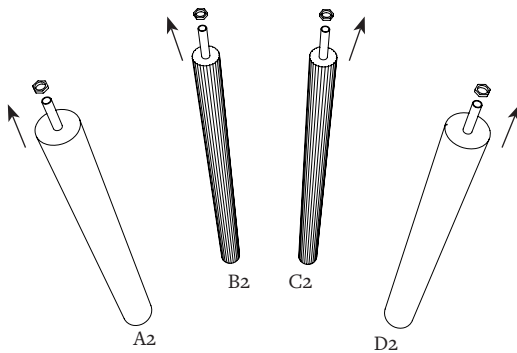
2

5



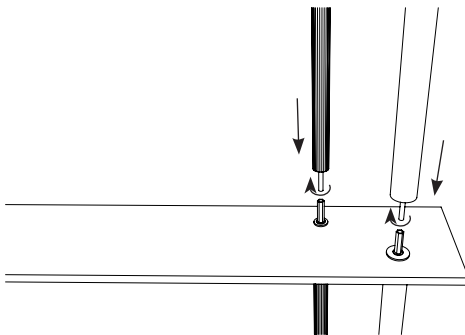
Unscrew the nut, 2 washers and coupling nut on the threaded rods of the 4 tubes A2, B2, C2 and D2.

6



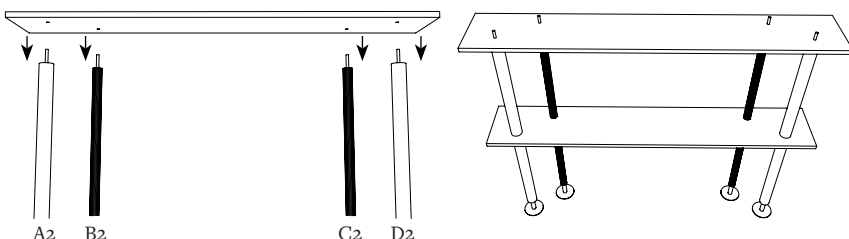
Unscrew the nut on the threaded rods of the 4 tubes A2, B2, C2 and D2. Note: the top of the tube is closed compared to the bottom of the tube, which is open!

7



Insert the 4 threaded rods of the 4 rotating tubes A2, B2, C2 and D2 into the coupling nut fixed to the plate. tubes A2, D2 are on the outside and the splined tubes B2 and C2 are on the inside. note: pay attention to the direction of the tube, with the closed side facing upwards.

8



Place trays in the 4 threaded rods of the 4 tubes A2, B2, C2 and D2.

Instructions

- Must be installed by a professional.
- Handle components with care.
- Wear gloves during installation.
- Requires a wrench.

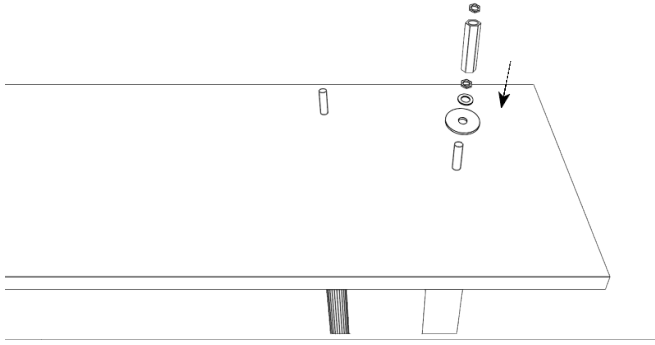
Assembly time

2H

Number of people required

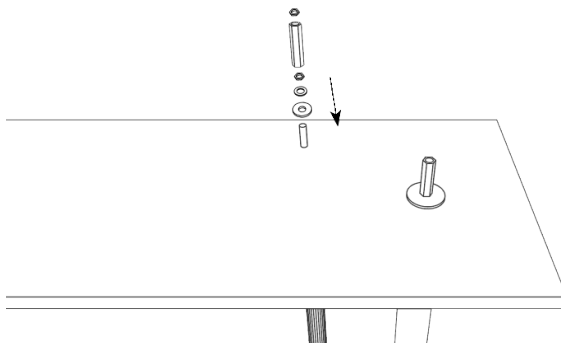
2

9



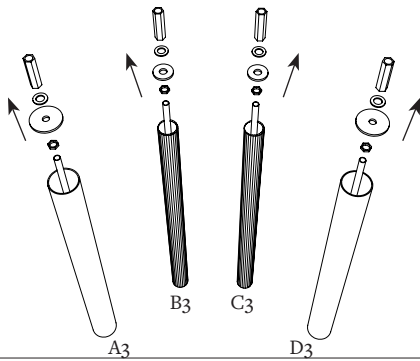
Assemble on the threaded rods of the 2 tubes A2 and D2 in this order: the large washer, the small washer, the nut and finally the coupling nut.

10



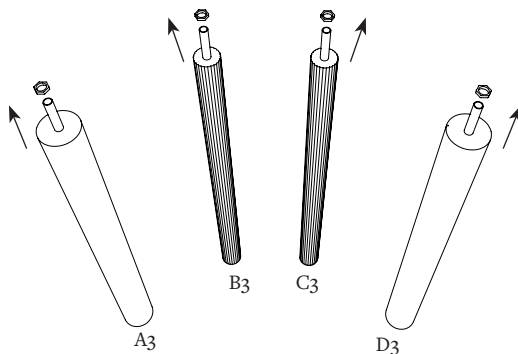
Assemble on the threaded rods of the 2 tubes B2 and C2 in this order: the medium washer, the small washer, the nut and finally the coupling nut.

11



Unscrew the nut, 2 washers and coupling nut on the threaded rods of the 4 tubes A3, B3, C3 and D3.

12



Unscrew the nuts on the threaded rods of the 4 tubes A3, B3, C3 and D3.

Instructions

- Must be installed by a professional.
- Handle components with care.
- Wear gloves during installation.
- Requires a wrench.

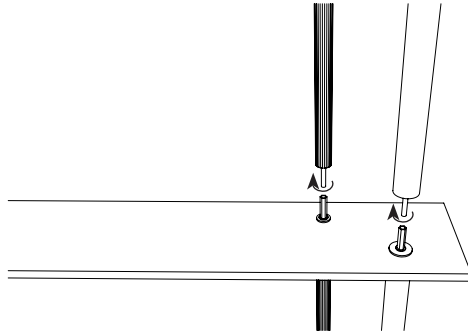
Assembly time

2H

Number of people required

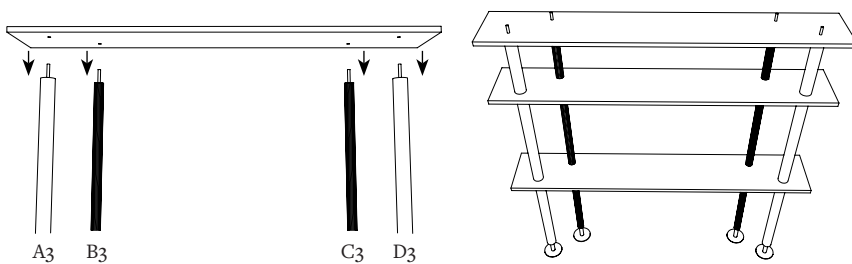
2

13



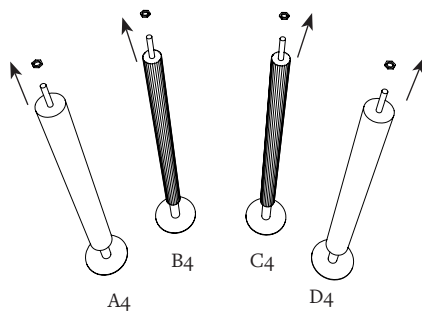
Insert the 4 threaded rods of the 4 rotating tubes A₃, B₃, C₃ and D₃ into the coupling nut fixed to the plate. tubes A₃, D₃ are on the outside and the splined tubes B₃ and C₃ are on the inside.

14



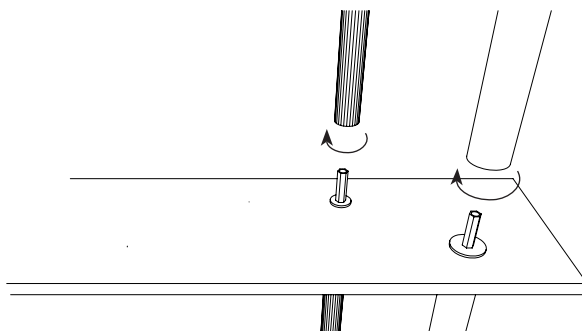
Place one of the trays in the 4 threaded rods of the 4 tubes A₃, B₃, C₃ and D₃.

15



Unscrew the nuts on the threaded rods of the 4 tubes A₄, B₄, C₄ and D₄.

16



Insert the 4 threaded rods of the 4 rotating tubes A₄, B₄, C₄ and D₄ into the coupling nut fixed to the plate, with tubes A₄ and D₄ on the outside and splined tubes B₄ and C₄ on the inside.

Instructions

- Must be installed by a professional.
- Handle components with care.
- Wear gloves during installation.
- Requires a wrench.

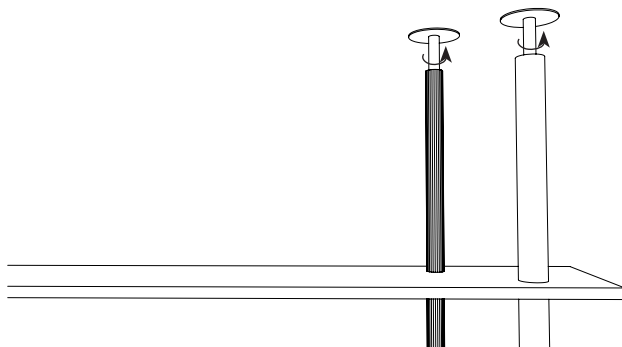
Assembly time

2H

Number of people required

2

17



Screw on the upper part of the last tubes A4, B4, C4 and D4, turning until the plate touches the ceiling and the tube stops moving.