

Instructions

- Must be installed by a professional.
- Handle components with care.
- Wear gloves during installation.
- Requires a wrench.

Assembly time

2H

Number of people required

2

Glossary

The number of tube sets corresponds to the number of shelves on your shelving unit:

2 shelves = 3 tube sets

3 shelves = 4 tube sets

4 shelves = 5 tube sets

5 shelves = 6 tube sets

...

Each set contains 4 tubes.

They are named as follows :

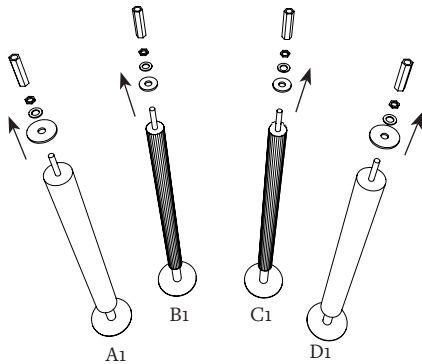
Set 1 = A1, B1, C1, D1

Set 2 = A2, B2, C2, D2

...

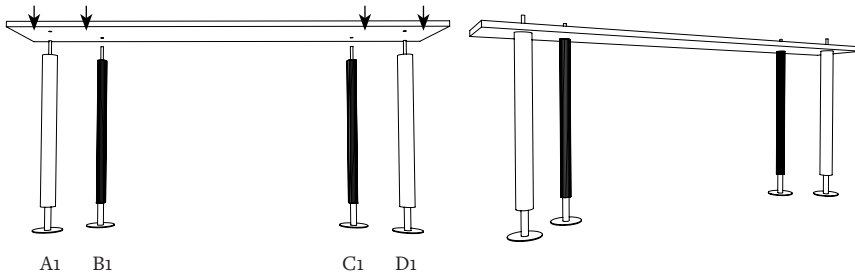
Tubes A & D are smooth and must be placed on the outside
Tubes B & C are fluted and must be placed inside

1



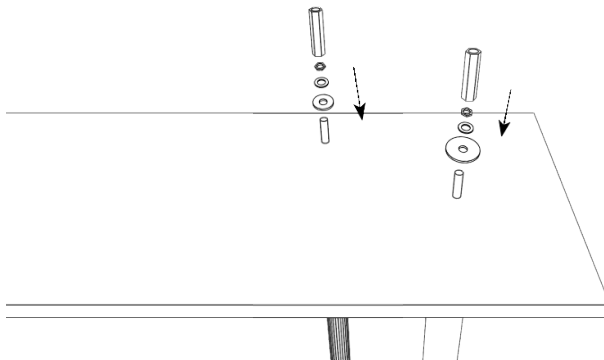
Take the first set of tubes (A1, B1, C1 and D1) and unscrew the coupling nut, the nut and the 2 washers.

2



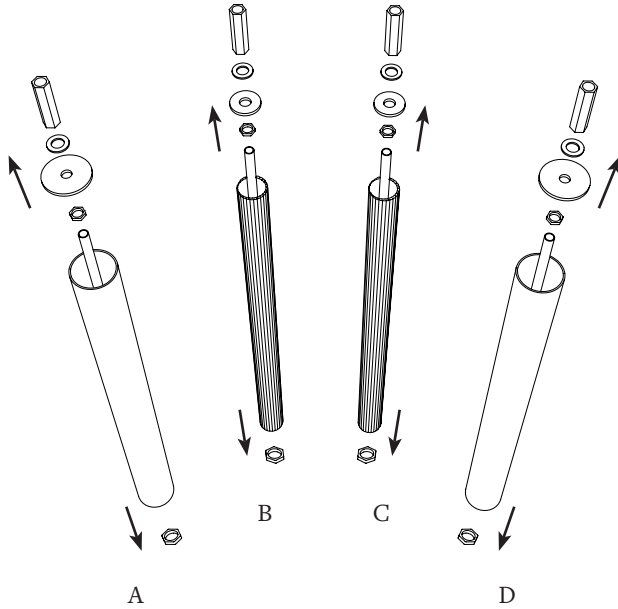
Locate the widest plate and place it onto the four threaded rods of the 4 tubes (A1, B1, C1 and D1).

3



Screw back onto the 4 threaded rods protruding from the shelf in the following order:
1 large washer, 1 small washer,
1 nut and 1 coupling nut.

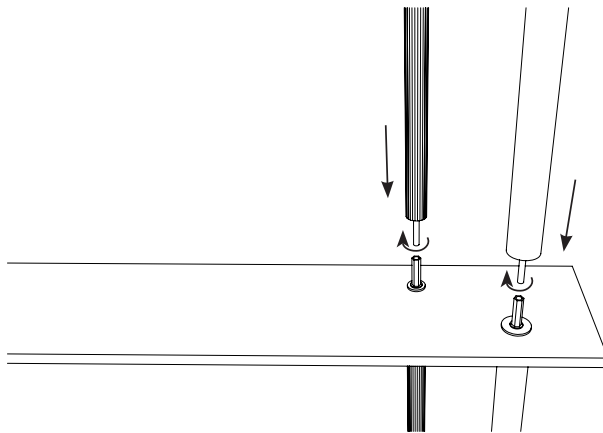
4



Take the next set of tubes and unscrew:

Open end of the tube: 1 nut, 2 washers and 1 coupling nut.
 Closed end of the tube: 1 lock nut.

5

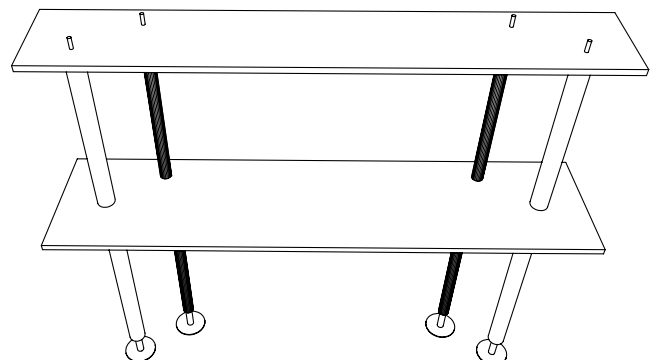


Screw the 4 tubes into the coupling nuts, with the open end facing downward.

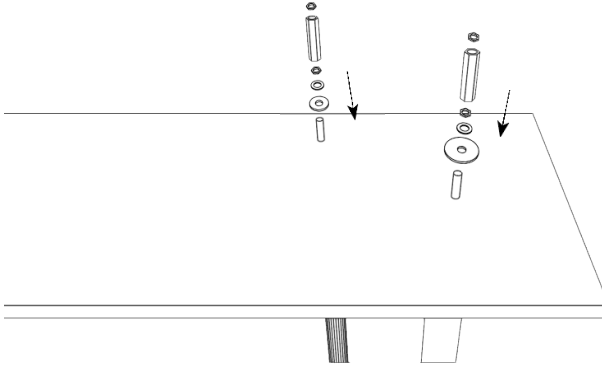
6



Insert one shelf onto the 4 threaded rods of the 4 tubes.



7



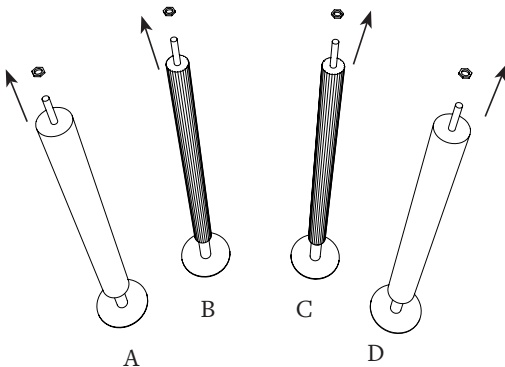
Screw back onto the 4 threaded rods protruding from the shelf in the following order:
 1 large washer, 1 small washer, 1 nut, 1 coupling nut and 1 lock nut.

8

For the following intermediate shelves, repeat steps 4 to 7. Use the tube sets in ascending order (we have just installed set 1, then set 2, so continue with set 3 and so on).

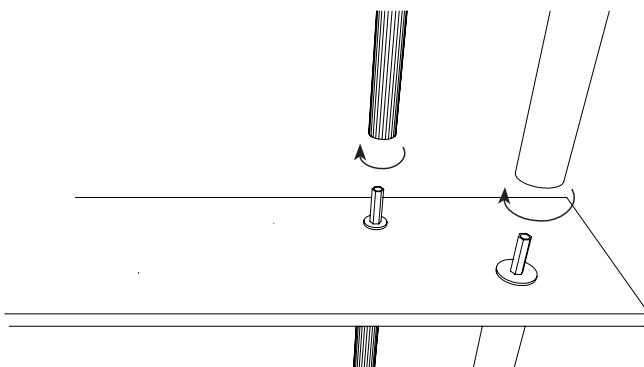
Once the last shelf has been installed, proceed to step 9.

9



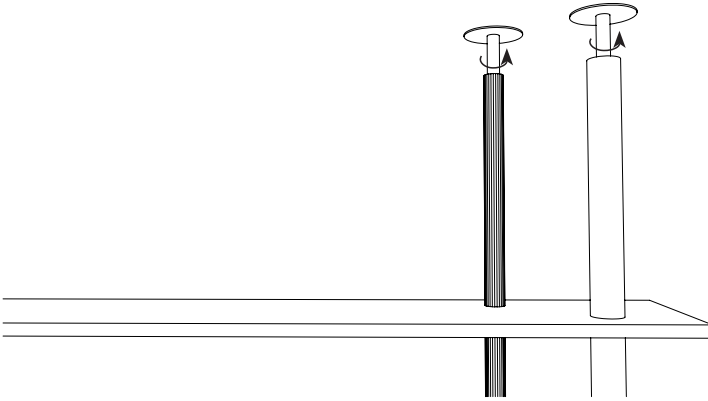
Take the last set of tubes. These tubes are easy to identify as they are fitted with mounting plates. Unscrew the nut from their threaded rod.

10



Screw the 4 last tubes into the coupling nuts.

11



Unscrew the upper plates of the last tubes until the plate touches the ceiling and the tube stops moving.

Tighten firmly without forcing.