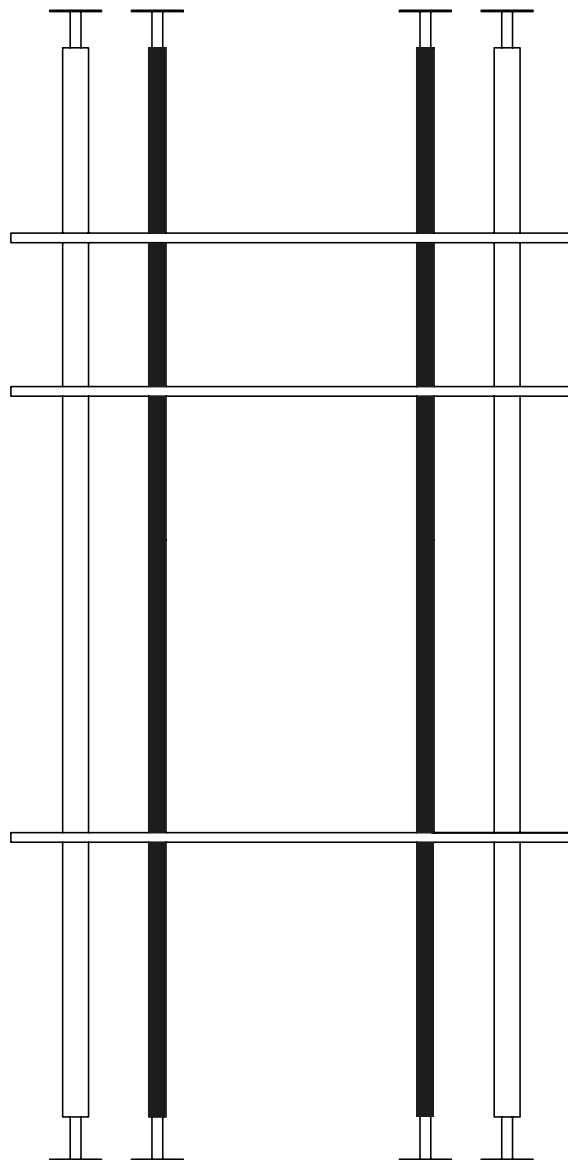
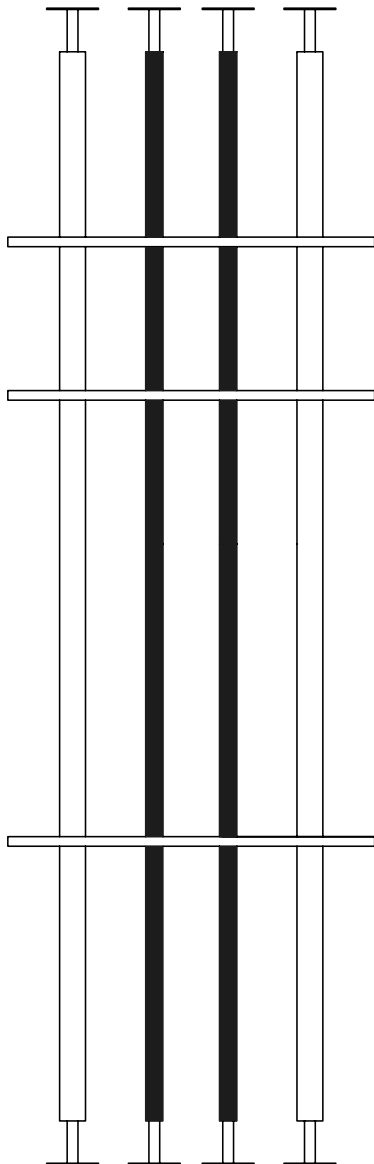


Assembly
instructions



Instructions

- Must be installed by a professional.
- Handle components with care.
- Wear gloves during installation.
- Requires a wrench.

Assembly time

2H

Number of people required

2

Glossary

The number of tube sets corresponds to the number of shelves on your shelving unit:

2 shelves = 3 tube sets

3 shelves = 4 tube sets

4 shelves = 5 tube sets

5 shelves = 6 tube sets

...

Each set contains 4 tubes.

They are named as follows :

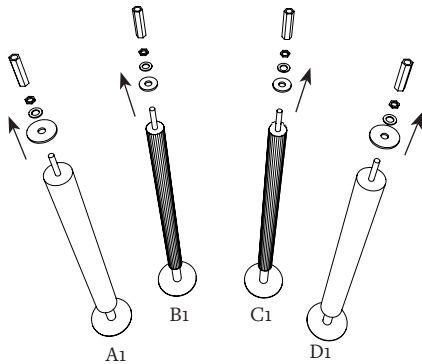
Set 1 = A1, B1, C1, D1

Set 2 = A2, B2, C2, D2

...

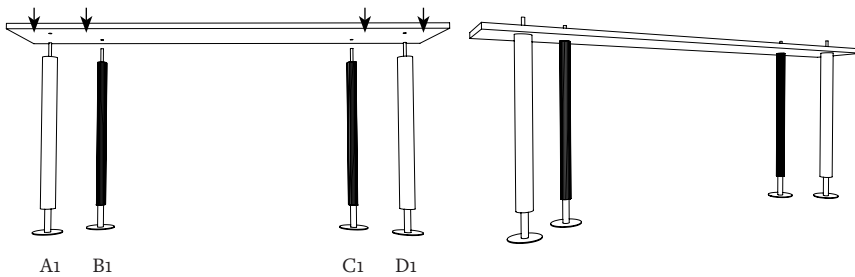
Tubes A & D are smooth and must be placed on the outside
Tubes B & C are fluted and must be placed inside

1



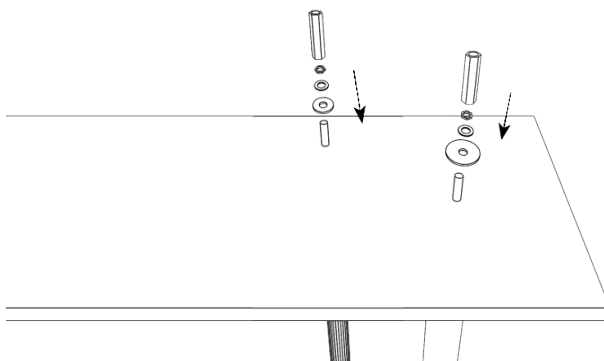
Take the first set of tubes (A1, B1, C1 and D1) and unscrew the coupling nut, the nut and the 2 washers.

2



Locate the widest plate and place it onto the four threaded rods of the 4 tubes (A1, B1, C1 and D1).

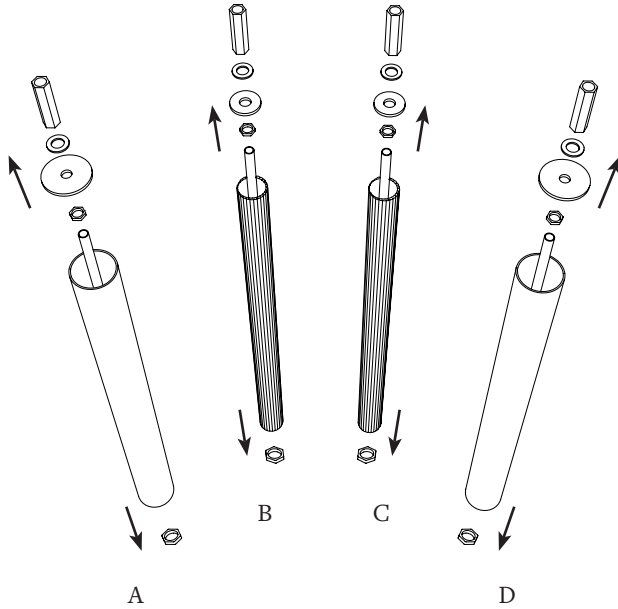
3



Screw back onto the 4 threaded rods protruding from the shelf in the following order:

- 1 large washer, 1 small washer,
- 1 nut and 1 coupling nut.

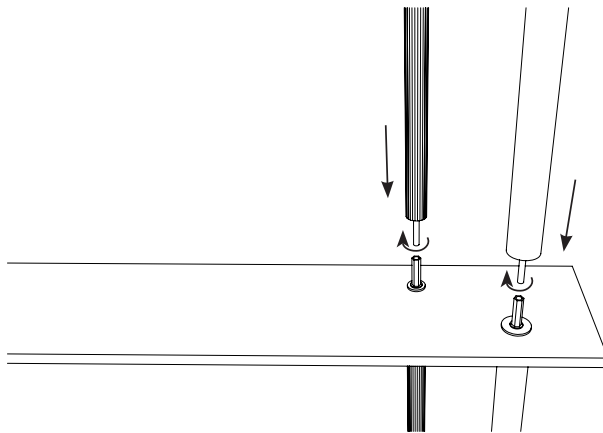
4



Take the next set of tubes and unscrew:

Open end of the tube: 1 nut, 2 washers and 1 coupling nut.
Closed end of the tube: 1 lock nut.

5

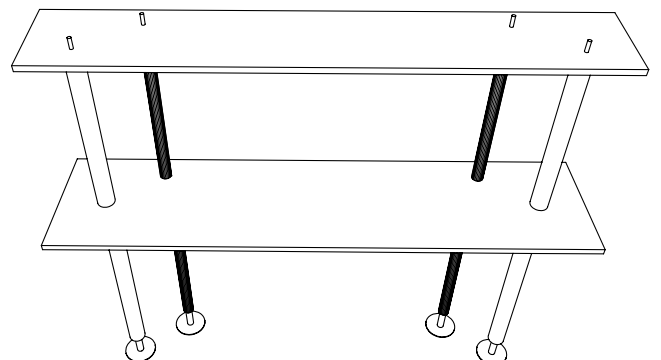


Screw the 4 tubes into the coupling nuts, with the open end facing downward.

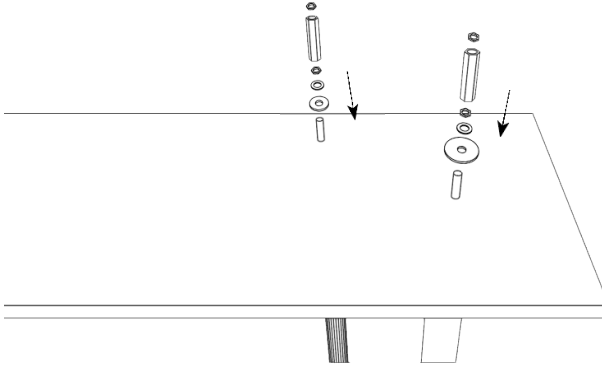
6



Insert one shelf onto the 4 threaded rods of the 4 tubes.



7

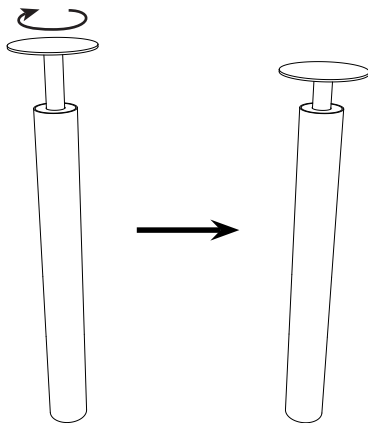


Screw back onto the 4 threaded rods protruding from the shelf in the following order:
 1 large washer, 1 small washer, 1 nut, 1 coupling nut and 1 lock nut.

8

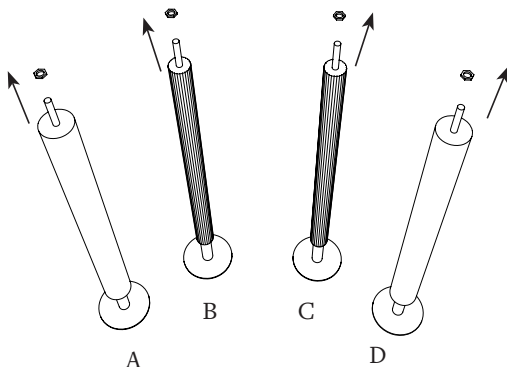
For the following intermediate shelves, repeat steps 4 to 7. Use the tube sets in ascending order (we have just installed set 1, then set 2, so continue with set 3 and so on).
 Once the last shelf has been installed, proceed to step 9.

9



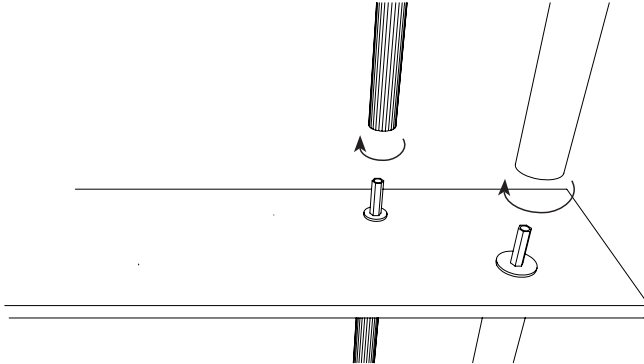
Take the last set of tubes. These tubes are easy to identify as they are fitted with mounting plates. Screw these mounting plates in as far as possible to minimise the overall length of each tube.

10



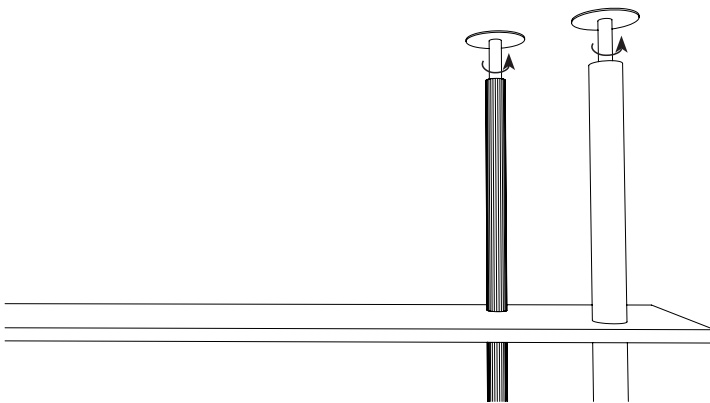
At the other end, unscrew the nut from their threaded rod.

11



Screw the 4 last tubes into the coupling nuts.

12



Unscrew the upper plates of the last tubes until the plate touches the ceiling and the tube stops moving.
Tighten firmly without forcing.