



Product Sheet

Pendant Twinkle






The Grand Show

Delivery delays
8 weeks

Materials

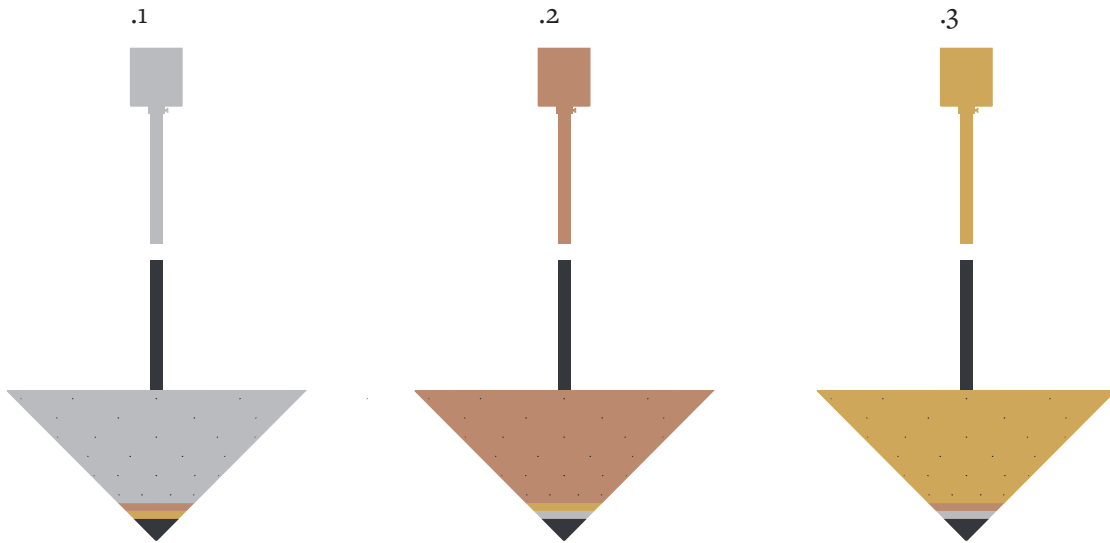
Solid Brass

Available finishes

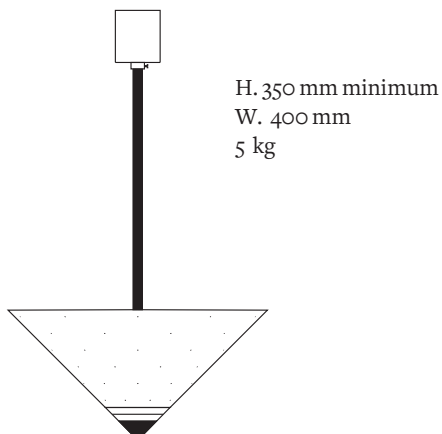
| | | |
|---|--|---------|
|  Brass | Polished lacquered Polished unlacquered | Brushed |
|  Nickel-plated brass | Polished lacquered | Brushed |
|  Copper-plated brass | Polished lacquered Polished unlacquered | Brushed |
|  Gunmetal Graphite | | |
|  Gunmetal Bronze | | |

Models

The tube is either the same finish as the thread guard or in gunmetal



Dimensions





Product Sheet

Pendant Twinkle

The Grand Show

| | | | |
|----------------------------------|--|--|--------------|
| Lamp reflector dimensions | H. 200 mm W. 400mm | | |
| Light sources | 3 × Led E14 / Max.10W. 220V | | |
| Certifications | CE conformity | Class 2 | IP 20 |
| Notes | <ul style="list-style-type: none">• Custom sizes & finishes available on request | <ul style="list-style-type: none">• As our lamps are handcrafted, the dimensions and finishes may vary slightly from one model to another• Bulbs are not provided | |

Thread guard dimensions

Standard thread guard



H. 90 mm
Ø. 70 mm

Platine V1



H. 4 mm
Ø. 100 mm

Platine V1 tiltable



H. 4 mm
Ø. 100 mm

Platine V2



H. 4 mm
Ø. 140 mm

Platine V2 tiltable



H. 4 mm
Ø. 140 mm